



PRODUCT SHEAR VALVES

EBW® product shear valves immediately stop product flow in the event of fire or collision at the dispenser. A patented adapter shears upon impact, causing the poppet to seal on the valve body, preventing fuel spillage. If fire occurs, a fusible link releases the fulcrum arm, engaging the poppet.

HIGHLIGHTS

- Standard 1½" openings allow minimal flow restriction and a pre-drilled test plug is included for line pressure testing
- Can be boss or U-bolt mounted.
- E-coated for corrosion protection and AGB compatibility.
- Easy-to-replace adapters slide on and off valve base without lifting the dispenser.
- Adapters are available in male, female or, union connections.
- Single poppet models stop product flow from the pump. Double poppet models stop flow from the pump and dispenser piping.

ORDERING INFORMATION

Shear Valves

Model	Description
662500901	Single poppet shear valve, union, 1½" NPT
662500902	Single poppet shear valve, female, 1½" NPT
662500903	Single poppet shear valve, male, 1½" NPT
662510902	Single poppet shear valve, female, 1½" BSPT
662510903	Single poppet shear valve, male, 1½" BSPT
662501901	Double poppet shear valve, union, 1½" NPT
662501902	Double poppet shear valve, female, 1½" NPT
662501903	Double poppet shear valve, male, 1½" NPT
662511902	Double poppet shear valve, female, 1½" BSPT
662511903	Double poppet shear valve, male, 1½" BSPT
662502902*	Double poppet shear valve, normally closed, female, 1½" NPT

*UL listed only.

U-Bolt Kit

Holds the single or double poppet shut-off valve rigidly in place, ensuring proper shearing.

Model	Description
66213801	U-bolt kit, 0.3 lbs (0.14 kg)

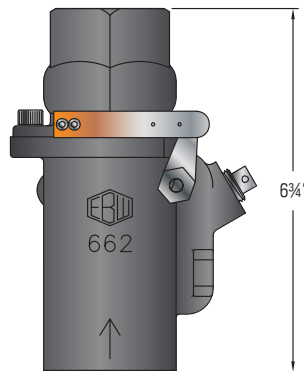
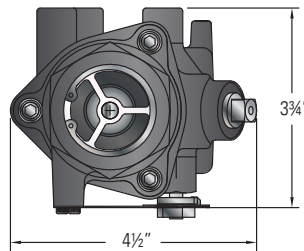
SPECIFICATIONS

- Fusible link closes poppet at 165.0 °F (73.9 °C).
- Top and body material: E-coated cast iron
- Poppet and O-ring: Fluorocarbon
- Stem and poppet spring: Stainless steel

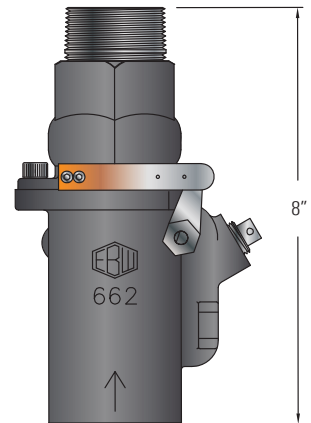
Approvals/Certifications

- Meets NFPA 30A requirements.
- UL and ULC listed. UL 842A and 842B approved for E-85 alcohol/gas blends and Biodiesel.
- ATEX approved, SIRA 13ATEX9035U.

Dimensions



Female Double Poppet



Male Double Poppet